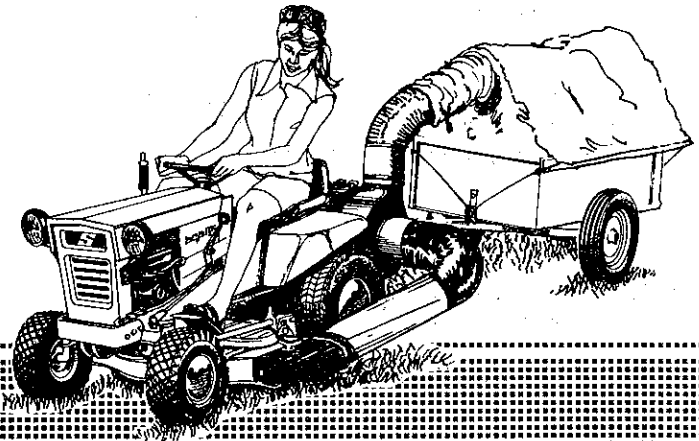


Simplicity®

Simplicity Manufacturing Company, Inc.



OWNERS MANUAL

BROADMOOR – YEOMAN

MFG. NO. 447 ROVING NOZZLE
MFG. NO. 888 VACUUM COLLECTOR ADAPTER
MFG. NO. 935 VACUUM COLLECTOR
MFG. NO. 1031 DUMP CART COVER

1657

SER. FORM - 177851
PRINTED IN U.S.A.

PROTECT YOURSELF AND OTHERS

- Know the controls and how to stop quickly -- READ THE OWNER'S MANUAL.
 - Do not allow children or young teenagers to operate vehicle or adults to operate it without proper instruction.
 - Do not carry passengers. Keep children and pets a safe distance away.
 - Clear work area of objects which might be picked up and thrown.
 - Disengage all clutches and shift into neutral before starting engine.
 - Disengage power to implement (s) and stop engine before leaving operator position.
 - Disengage power to implement (s) and stop engine before making any repairs or adjustments.
 - Disengage power to implement (s) when transporting or not in use.
 - Take precautions, such as disengaging power take-off, lowering implements, shifting into neutral, setting parking brake, stopping engine and removing key when leaving vehicle unattended.
 - Don't stop or start suddenly when going uphill or downhill.
 - Reduce speed on slopes and in sharp turns to prevent tipping or loss of control.
 - Stay alert for holes in terrain and other hidden hazards.
 - Use care when pulling loads or using heavy equipment.
 - A. Use only approved drawbar hitch points.
 - B. Limit loads to those you can safely control.
 - C. Don't turn too sharp, and use care when backing.
 - D. Use counterweight (s) or wheel weights when suggested in owner's manual.
- Watch out for traffic when crossing or near roadways.
- When using any attachments, never direct discharge of material toward bystanders nor allow anyone near vehicle while in operation.
 - Handle gasoline with care -- it is highly flammable.
 - A. Use approved gasoline container.
 - B. Never remove cap or add gasoline to a running or hot engine or fill fuel tank indoors. Wipe up spilled gasoline.
 - C. Replace gasoline cap securely.
 - D. Open doors if engine is run in garage -- exhaust gasses are dangerous.
 - Keep vehicle and attachments in good operating condition and keep safety devices in place. Use guards as instructed in owner's manual.
 - Do not operate equipment when barefoot or wearing open sandals. Always wear substantial footwear.
- Do not put hands or feet near or under rotating parts. Keep clear of discharge opening at all times.
 - Before cleaning, inspecting, adjusting, or repairing the tractor or any attachments stop the engine, remove the ignition key (electric start models) and be sure all blades and other moving parts have stopped.
 - Stop blade (s) when crossing gravel drive, walks or roads.
 - After striking a foreign object stop the mower and remove the ignition key. Thoroughly inspect the mower for any damage, and repair the damage before restarting and operating the mower.
 - If your equipment should start to vibrate abnormally, stop the engine and check immediately for the cause. Vibration is generally a warning of trouble.
 - Do not run the engine indoors.
 - Look to be sure that children are not behind the tractor, before backing up.
 - When mowing with a tractor mounted mower, mow up-and-down on slopes, never across or horizontally. To prevent the danger of overturning, exercise extreme caution when stopping, starting or changing direction.
 - Check blade and engine mounting bolts for proper tightness at frequent intervals.
 - Keep all nuts, bolts, and screws tight to be sure equipment is in safe working condition.
 - Never store equipment with gasoline in the tank inside of a building where fumes may reach an open flame or spark. Allow engine to cool before storing in any enclosure.
 - To reduce fire hazard keep engine free of grass, leaves or excessive grease.
 - Never operate any attachment without all guards, deflectors, and other protective covering in place.
 - Keep the area of operation clear of all persons, particularly small children, and pets.
 - Check fuel before starting engine. Do not fill gasoline tank when engine is running or while engine is still hot. Wipe off any spilled gasoline before starting engine. Do not smoke when fueling engine or around open gasoline containers.
 - Mow only in daylight or in good artificial light.
 - Do not change engine governor, settings or overspeed engine.

Table of Contents

	PAGE
Protective Hints _____	Inside Cover
Warranty _____	3
Packing _____	4
Assembly (Vac. Collector) _____	4-5
Operation _____	5
Maintenance _____	6
Adapter Kit (Dwg.) _____	6
Collector & Blower Housing (Dwg. & Parts List) _____	7
Roving Nozzle _____	8
Assembly (Roving Nozzle) _____	8
Roving Nozzle (Dwg. & Parts List) _____	9
Dump Cart Cover (Installation) _____	10-11
Dump Cart Cover (Dwg. & Parts List) _____	12

SIMPLICITY'S NEW EQUIPMENT WARRANTY

The Company warrants Simplicity products to be free from defects in material and workmanship, except the Company makes no warranty, express or implied, with respect to tires, engines, generators and voltage regulators, which are warranted by their respective manufacturers. Any part covered by this warranty which is proven defective within one year (45 days for equipment used for rental, municipal or commercial purposes) under normal use, from date of purchase, will be replaced without charge, provided such part is returned to the factory, (if requested), and is found to be defective upon examination at the factory. This warranty does not apply to any Simplicity products altered outside of the Simplicity factory. THE FOREGOING WARRANTY IS IN LIEU OF ALL OTHER WARRANTIES, EXPRESS OR IMPLIED, OF MERCHANTABILITY, FITNESS FOR A PARTICULAR PURPOSE, PERFORMANCE, OR OTHERWISE. The Company's obligation under its warranty is strictly and exclusively limited to the replacement of such parts, and in no event shall the Company be liable for any other damages, whether direct, immediate, incidental, special, or consequential. Simplicity Manufacturing Company, Inc., reserves the right to modify or change specifications without prior notification. There are no warranties which extend beyond the description of any Simplicity product.

BROADMOOR AND YEOMAN VACUUM COLLECTOR (MFG. NO. 935)

PACKING

The Vacuum Collector is delivered complete in two cartons. The long carton contains:

- 1 - Hose (Exhaust)

The short carton contains:

- 1 - Intake Tube
- 1 - Blower Assembly
- 1 - Deflector
- 2 - Hose Clamps
- 1 - Elbow Assembly
- 1 - Pack of Hardware

Should any shortages of the above items occur, advise by stating the packers number listed on the packing slip, part number and description of items missing.

ASSEMBLY

1. Remove deflector from mower housing.
2. From inside mower housing, install a 5/16 inch carriage bolt, lockwasher, and hex nut (Figure 1) finger tight through top hole of housing.
3. From inside mower housing, secure 3/8 inch carriage bolt, spacer, flat washer, and hex nut (Figure 1) in front hole of housing.

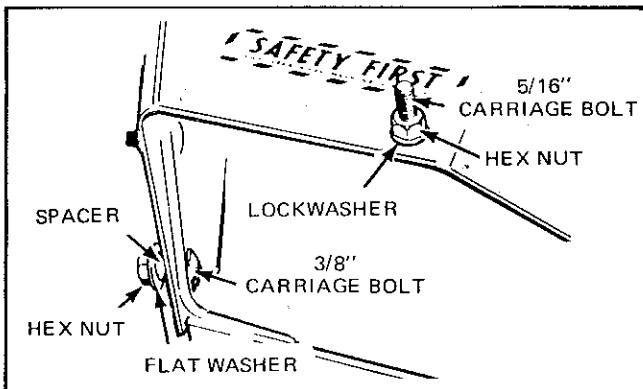


FIGURE 1

4. Attach vacuum collector adapter to mower housing by hooking adapter between spacer and flat washer (Figure 1). Adjust position of adapter and tighten both front and top nuts securely. Install a flanged wing nut on top mounting screw (Figure 2).

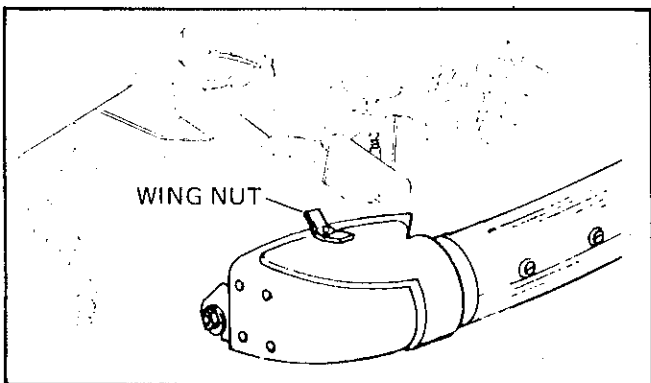


FIGURE 2

5. Remove the drawbar bracket bolts from the rear support plate on the transmission. Place the hitch plate between the drawbar bracket and the support with the notches up. Secure with the 3/8-16 x 1-1/2 in. capscrews, nuts and lockwashers provided. (See Figure 3).

6. Install the engine and blower assembly on the tractor. Tilt it back and engage the lower frame rod in the hitch slots. Tilt it forward to align the blower frame holes with the mating holes in the seat support. Insert the long pin and secure with two spring clips. (See Figure 4).

7. Attach the hose deflector plate to the top of the blower housing. The deflector fits on the outside of the blower outlet. Secure with the two No. 10 self-tapping screws. (See Figure 5).

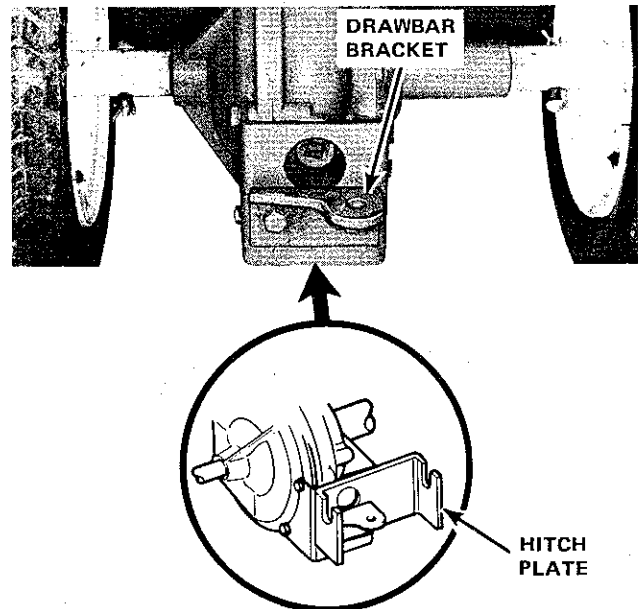


FIGURE 3

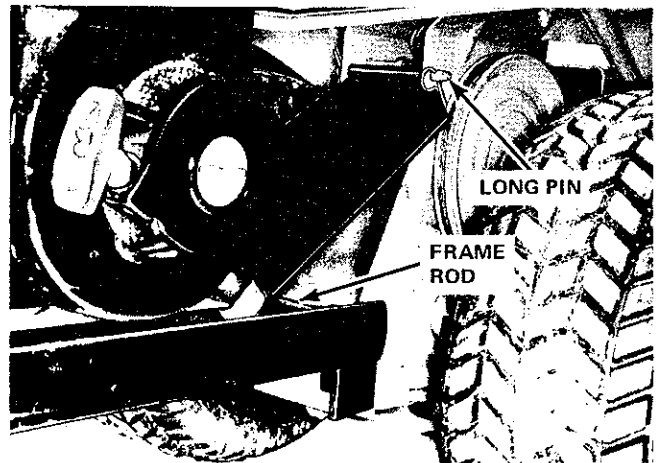


FIGURE 4

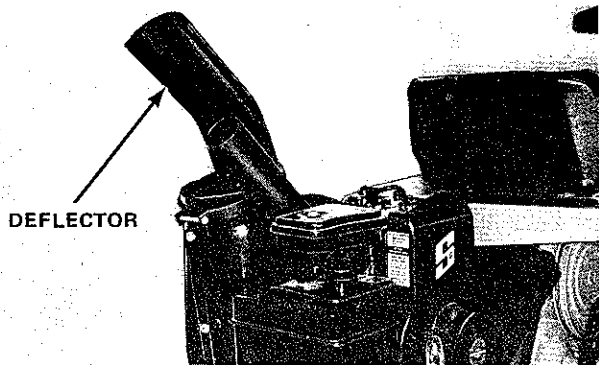


FIGURE 5

8. Be sure intake tube ends are secured together with six groups of attaching parts consisting of a Phillips head screw, two flat washers, a lockwasher, and a hex nut each. The end of the intake tube going over the adapter should have the Phillips head screw going through the hole from the inside of the tube. The remainder of the screws are to be installed from the outside of the tube.

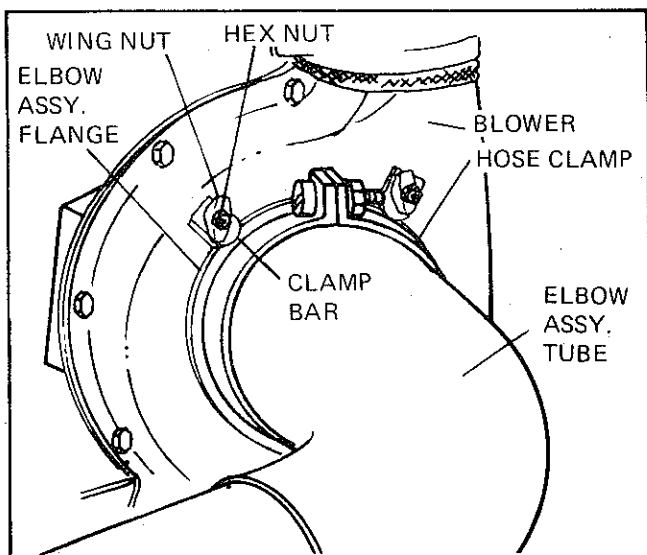


FIGURE 6

9. Install one end of intake tube over adapter and insert other end into elbow assembly.

10. Install elbow assembly flange on blower and secure flange to elbow tube with hose clamp, machine screw, lockwasher, and nut (Figure 6). Be sure to tighten hose clamp securely.

11. Install six inch outlet hose over blower deflector against blower housing. Tighten six inch hose clamp around hose at housing. Install other end of outlet hose in cart cover nozzle and secure it with lock belt.

OPERATION

1. Position blower engine muffler so exhaust holes are directed away from engine (Figure 7).
2. Pull engine choke plunger out to **CHOKE** position (Figure 8).
3. Pull throttle knob all the way out.

4. Grasp recoil starter handle firmly in your right hand and pull sharply straight out until engine starts. (Figure 8) After the engine starts, return choke or plunger to **OFF** position. If the engine fails to start after four or five pulls, it may be flooded. Return the choke lever or plunger to **OFF** position and pull the starter handle to clear the excess fuel.

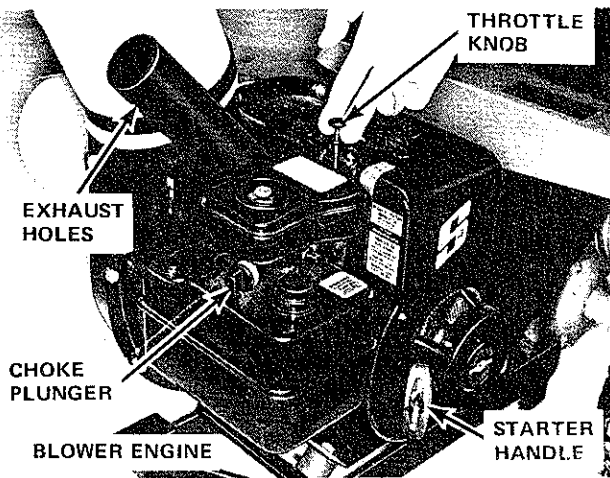


FIGURE 7

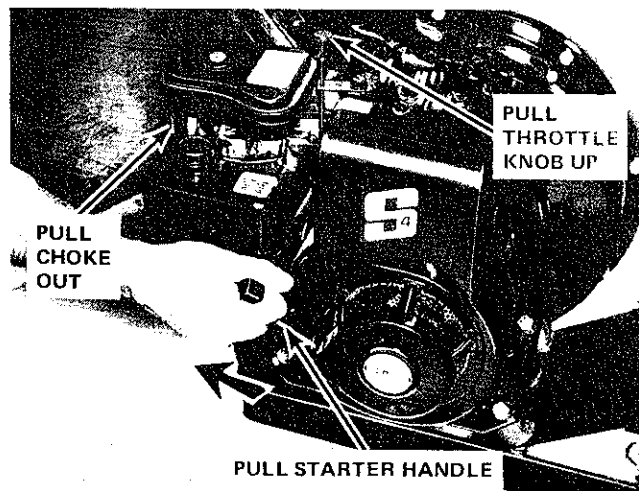


FIGURE 8

5. Engage the mower and run the tractor at about three fourths throttle. Under wet conditions or when collecting thick, heavy material, run at slower ground speed (first or second gear) and full blower engine speed to increase vacuum.

6. When collecting leaves and tall grass, raise the mower to highest cutting height on the first pass, then lower it for the second pass.

7. In wet and extremely high grass it may be necessary to use only half the width of the mower to prevent the hoses from clogging up. Check the hoses and blower housing periodically to make sure the material does not accumulate, blocking the flow to the cart.

8. To stop the engine, push the throttle knob straight down all the way.

9. After operating, be sure to clean out the hoses and the cart thoroughly, especially at the cover sleeve connection.

MAINTENANCE

BEFORE OPERATION

Engine service: Service the blower, for the season it is to be used, according to the manufacturers recommendations. In addition, check to be sure it is filled with a good quality motor oil of grade MS.

Above 40° F - SAE-30

Below 40° F - SAE 5W-20

Fill the fuel tank with clean, fresh leaded or non-leaded "regular" grade automotive gasoline.

EVERY 25 HOURS

Follow the Briggs and Stratton manual and change the oil in the engine crankcase.

NOTE: When changing engine oil be sure the funnel and tube are free of dirt. Dirt in the oil will shorten engine life.

STORAGE

Remove the entire cart cover and place it where air will circulate around it. This will prevent rotting of the fabric.

TROUBLE SHOOTING

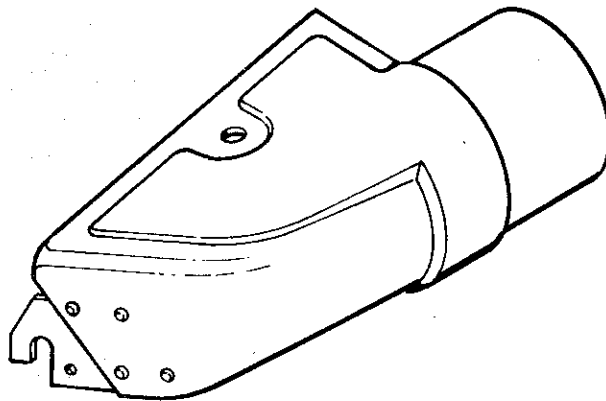
If leaves and grass are not being completely picked up, check the following:

1. Run the blower engine at full engine speed.
2. Run the tractor at slower ground speed (first gear).
3. Check all hose connections to be sure they are tight.

If the hoses become plugged, check the following:

1. Grass may be too high or wet, use only half the mower width.
2. Run the tractor in a lower gear.
3. Raise the mower adjustment for the first pass, lower it to make a second pass.

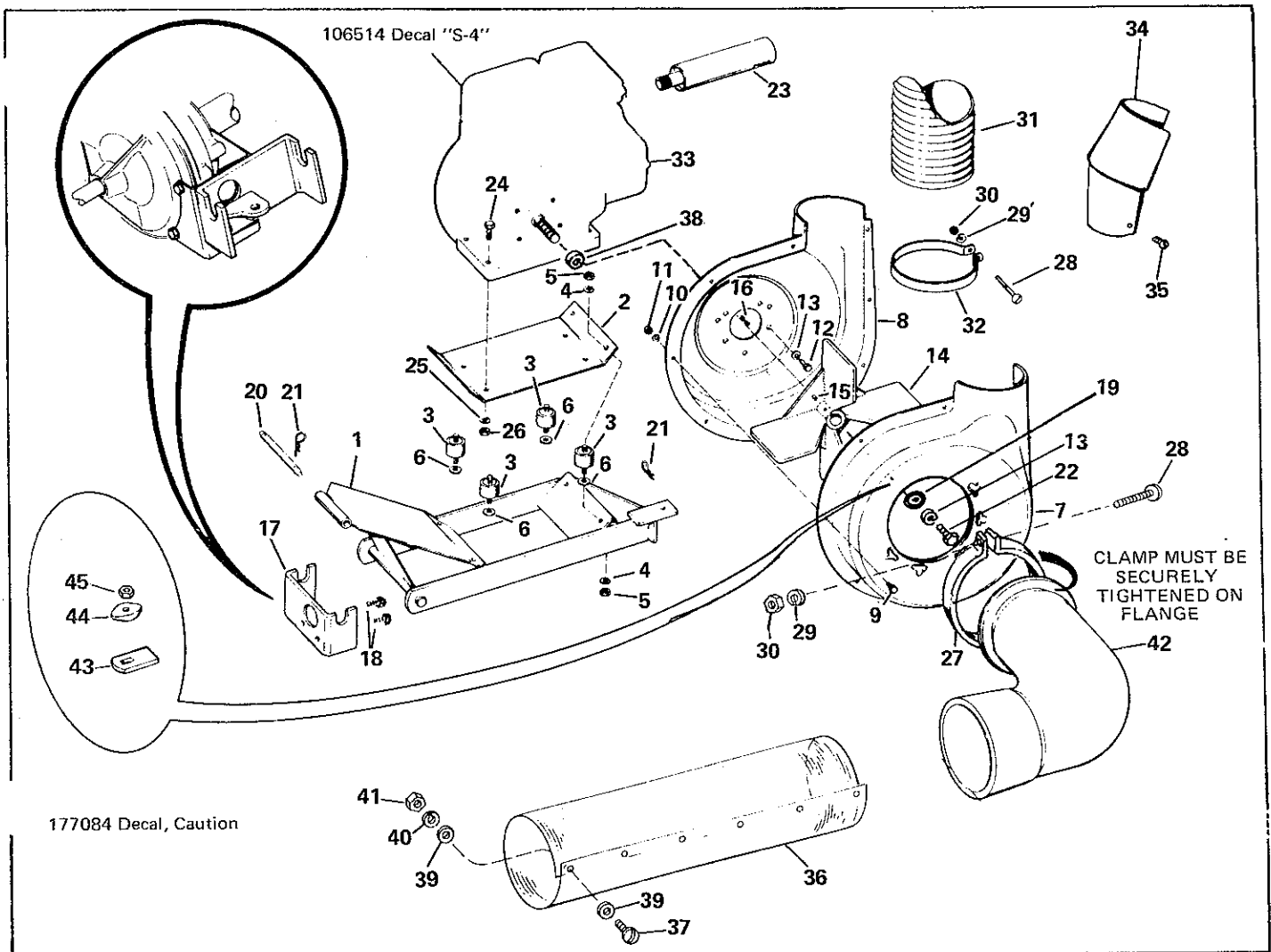
Adapter Kit Mfr's. No. 888 FOR 36" ROTARY MOWER



ORDER PART NO. 177017

FIGURE 9

COLLECTOR & BLOWER HOUSING (MFG. NO. 935)



Ref. No.	Part No.	Qty. Req.	Description	Ref. No.	Part No.	Qty. Req.	Description
1	123088	1	Frame Assembly	24	705018	4	Hex Capscrew, 5/16-18 x 1-1/2
2	123095	1	Engine Plate	25	720001	4	Lock Washer, 5/16
3	157094	4	Connector, Cushion	26	717001	4	Full Hex Nut, 5/16-18
4	720001	8	Lock Washer, 5/16	27	123065	1	Hose Clamp
5	717001	8	Hex Nut Full, 5/16	28	715069	2	Rd. Hd. Mach. Screw, 1/4-20 x 3
6	719002	4	Plain Washer, 5/16	29	720003	2	Lock Washer, 1/4
7	123109	1	Housing, Inlet Half	30	717005	2	Full Hex Nut, 1/4-20
8	123013	1	Housing Half-Blower, R.H.	31	174264	1	Exhaust Hose
9	705002	9	Hex Capscrew, 1/4-20 x 1/2	32	123067	1	Hose Clamp
10	720003	9	Lock Washer, 1/4	33	123141	1	Engine
11	717005	9	Hex Nut, Full, 1/4-20	34	123107	1	Deflector
12	706016	4	Hex Capscrew, 5/16-24 x 5/8	35	714014	2	Self-tapping, screw No. 10
13	720001	4	Lock Washer, 5/16	36	177272	1	Tube, Intake
14	123015	1	Fan Assembly	37	711003	6	Truss Hd. Phillips Screw, No. 10
15	713006	1	Set Screw, 5/16-18 x 1/2	38	123140	1	Spacer
16	8221042	1	Key	39	719007	12	Washer, 3/16
17	123096	1	Hitch	40	721507	6	Lockwasher No. 10
18	705009	2	Hex Capscrew, 3/8-16 x 1-1/2	41	717007	6	Full Hex Nut, No. 10-32
19	123144	1	Washer	42	177333	1	Elbow Assembly
20	156268	1	Counterweight Pin	43	177271	2	Clamp Bar
21	8161045	2	Spring Clip	44	108848	2	Wing Nut
22	715088	1	Hex Capscrew, 5/16-24 x 3/4	45	717530	2	Full Hex Jam Locknut, 5/16-18
23	123104	1	Muffler				

FIGURE 10

ROVING VACUUM NOZZLE MFG. NO. 447

The nozzle attaches to the blower inlet in place of the hose from the mower. For storage, a carrier is provided for installation on the front of the dump cart.

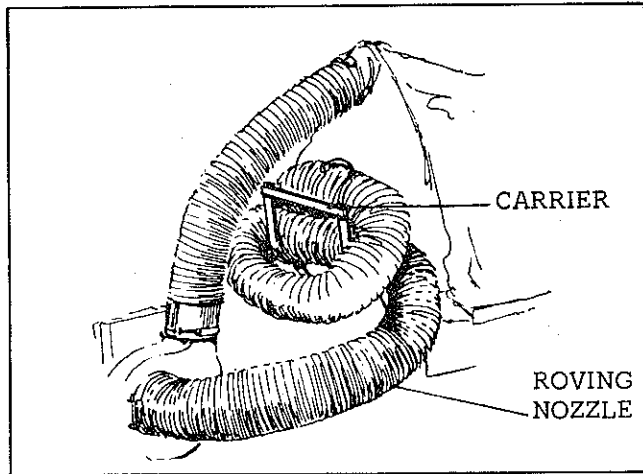


FIGURE 11

ASSEMBLY

1. Install the mounting flange and clamp on the plain end of the hose. Tighten the clamp screw securely. (Figure 12).
2. Install the hose handle clamps the desired distance from the pickup end of the hose and attach the handle. (Figure 13).
3. Attach the flanged end of the roving nozzle to the blower housing, seating the flange fully in the notches. (Figure 12).

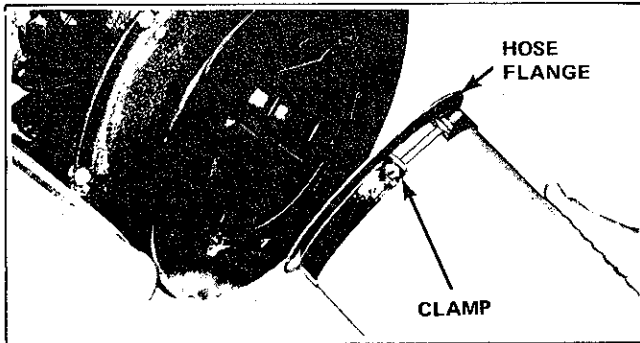


FIGURE 12

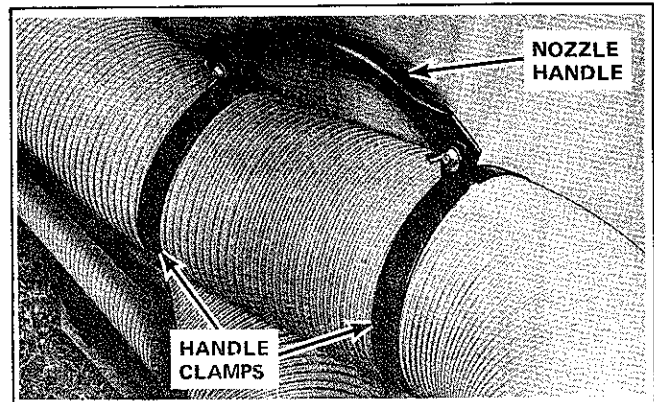


FIGURE 13

4. The storage rack is assembled and hung onto the front of the cart as shown. No hardware for mounting is required. (Figure 14).

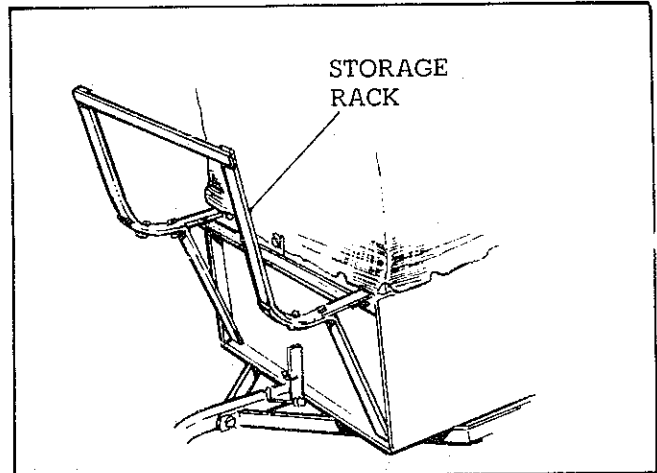


FIGURE 14

ROVING NOZZLE MFG. NO. 447

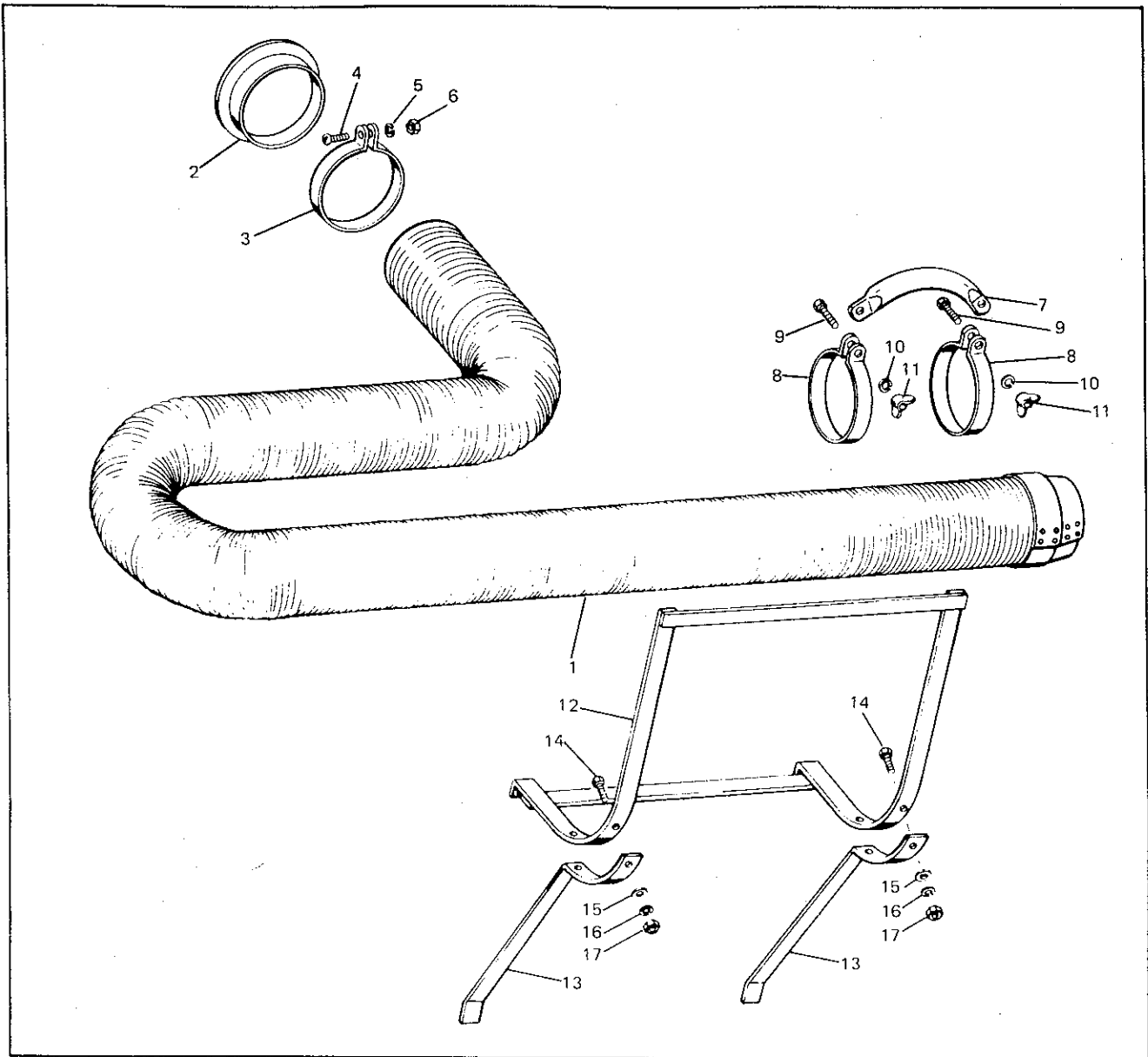


FIGURE 15

Ref. No.	Part No.	Qty. Req.	Description
1	123127	1	Hose Assembly
2	123111	1	Hose Flange
3	123065	1	Hose Clamp
4	715069	1	R.H. Screw 1/4-20 x 3
5	720003	1	Lock Washer 1/4"
6	717005	1	Hex Nut Full, 1/4-20
7	123129	1	Hose Handle
8	123128	2	Hose Clamp Handle
9	705017	2	Hex Capscrew, 5/16-18 x 3/4
10	720001	2	Lock Washer 5/16
11	718006	2	Wing Nut, 5/16-18
12	123122	1	Hose Carrier Assy.
13	123125	2	Carrier Support
14	705001	4	Hex Capscrew, 5/16-18x7/8
15	719002	2	Plain Washer, 5/16
16	720001	4	Lock Washer, 5/16
17	717001	4	Hex Nut Full, 5/16-18

MFG. NO. 1031 DUMP CART COVER INSTALLATION

1. Insert each bail through slotted hole in lever and center the lever on the bail (Figure 16).

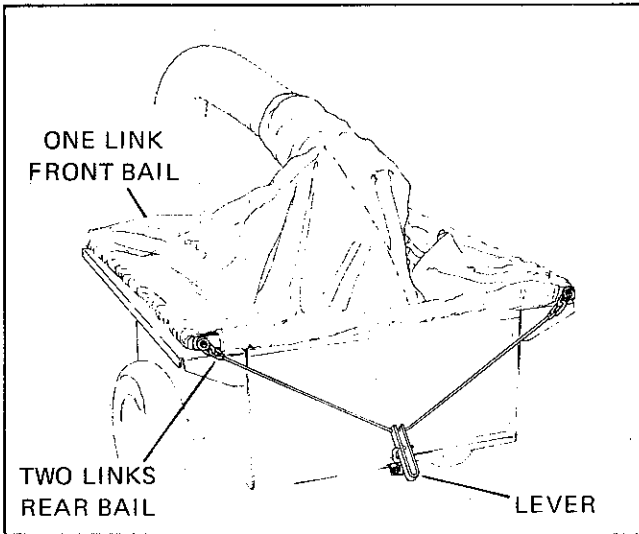


FIGURE 16

2. Attach one link to each end of one bail and two links to each end of other bail (Figure 16). The bail with two links each will be placed later at rear of cart and the bail with one link each at the front.

3. Insert side and end reinforcing bars in cart cover with side bar bends pointing inward.

4. Align reinforcing bar holes and flat washer. From inside, insert pin through holes and secure bars and washer with a hex nut (Figure 17). Repeat procedure for all four corners.

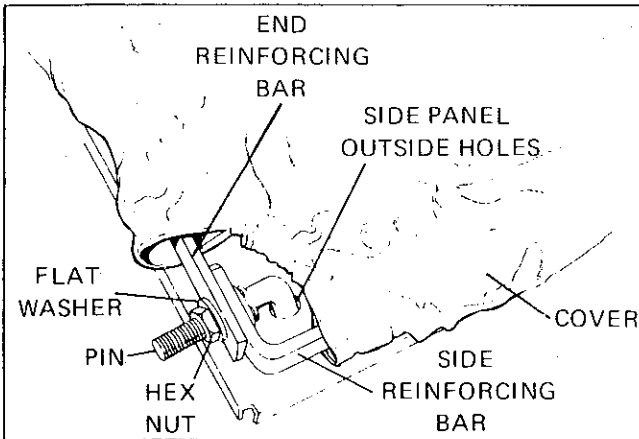


FIGURE 17

5. Hang two side panels on outer sides of cart.

6. Secure belt stop to inside front of side panel with two flat washers (one above and one below side panel), special washer, 3/4 inch long capscrew, and locknut (Figure 18). Position belt stop at angle illustrated. Repeat procedure for remaining front corner.

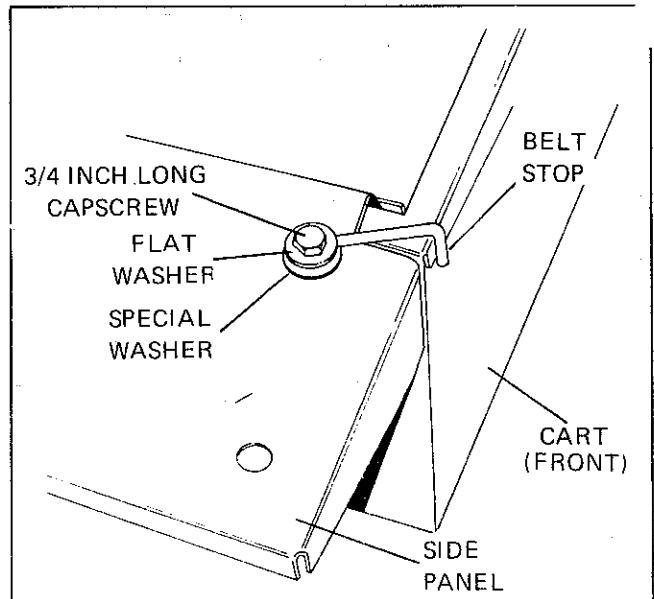


FIGURE 18

7. Secure bracket to inside rear of side panel with two special washers (above side panel), a flat washer (underside panel), a 3/4 inch long capscrew, and locknut (Figure 19). Position side panel bracket at angle illustrated. Repeat procedure for remaining rear corner.

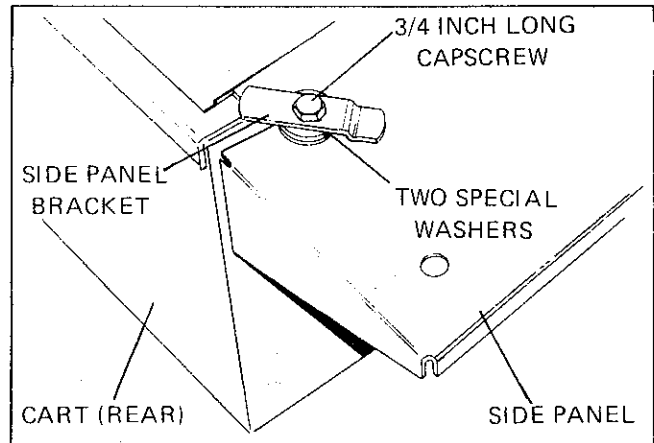


FIGURE 19

8. Lay cover assembly on cart with canvas side flaps inside and cover nozzle toward cart drawbar. Be sure pins are inserted completely into side panel outside holes (Figure 16).

9. Secure bracket to front of cart with 1-1/4 inch long capscrew (Figure 21).

10. Secure the loose link of rear bail and link assembly (two links on each end of bail) to rear pins with two flat washers and locknuts. Repeat same procedure for front bail and link assembly (one link on each end of bail).

11. Insert rear latch rod through lever holes and secure it with a cotter pin (Figure 20). Install locknut, latch, and locknut on latch rod. With lever in closed position, adjust latch until it is securely hooked under cart. Repeat procedure for front side with latch tight under bracket (Figure 21).

12. Insert hose in cover nozzle and tighten cover nozzle around hose with belt (Figure 22).

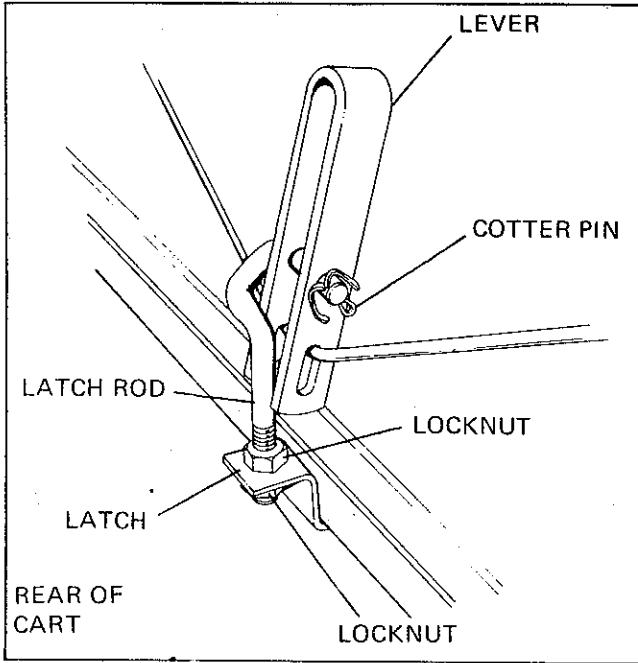


FIGURE 20

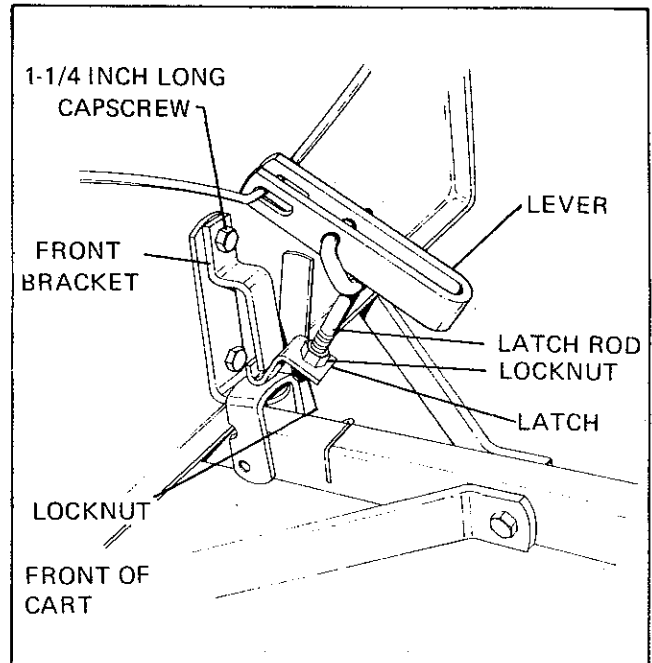


FIGURE 21

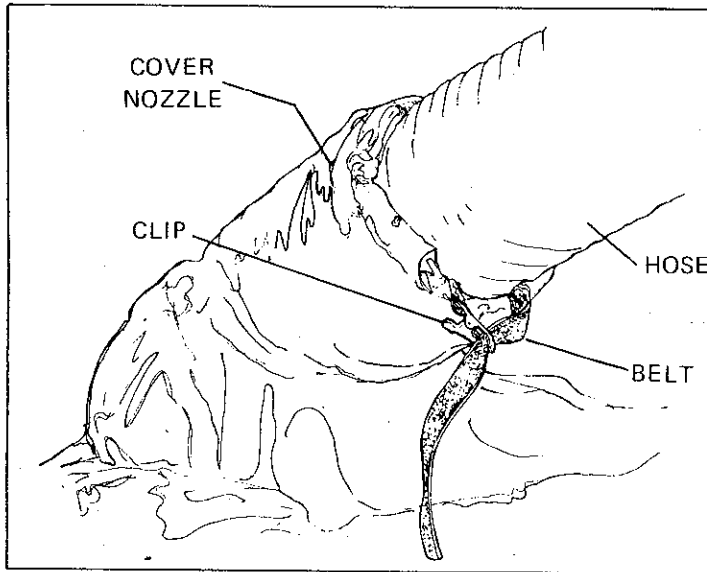


FIGURE 22

NOTE:
Refer to Figure 23 for dump cart cover parts list.

DUMP CART COVER MFG. NO. 1031

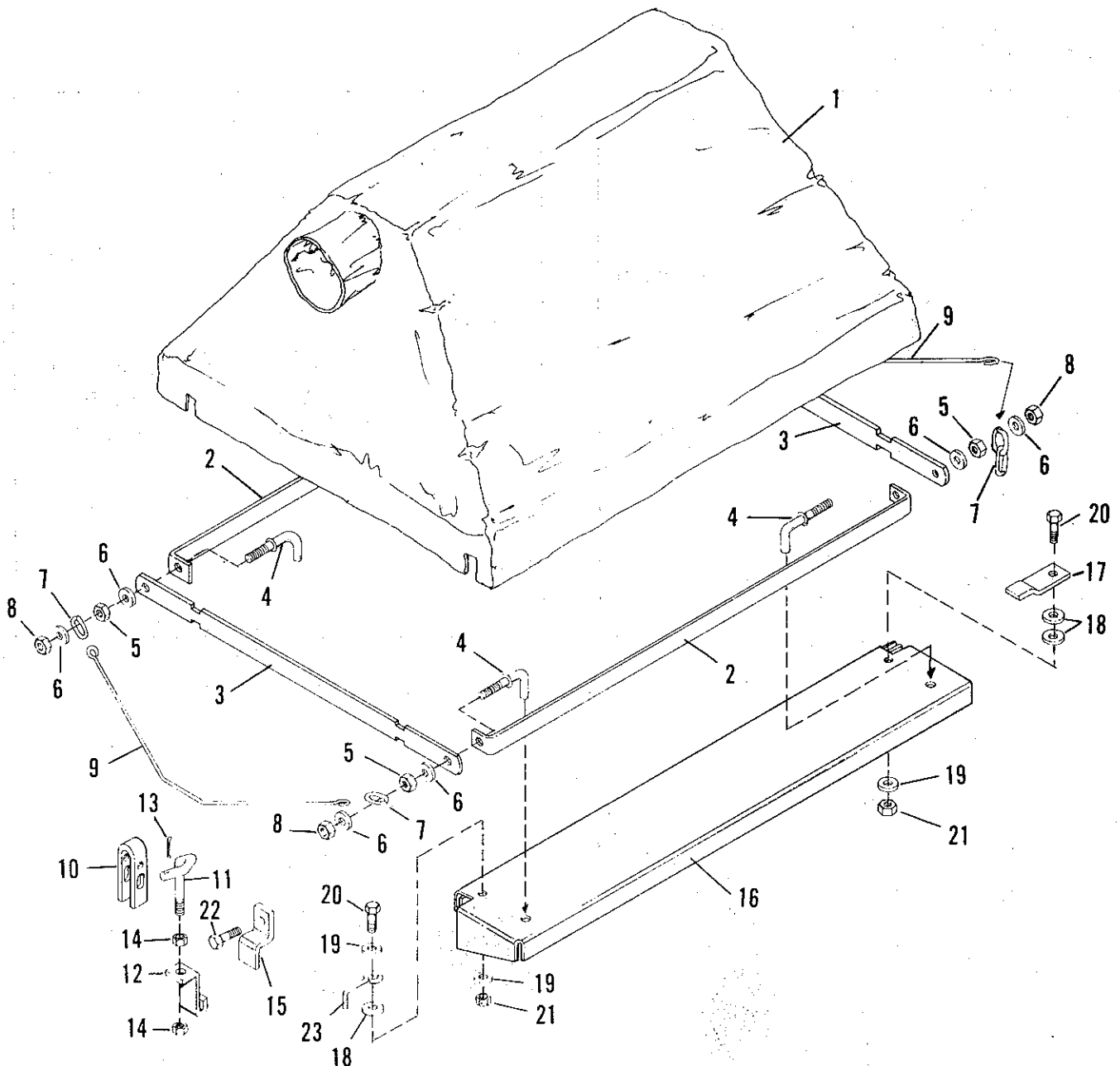


FIGURE 23

Ref. No.	Part No.	Qty. Req.	Description	Ref. No.	Part No.	Qty. Req.	Description
1	177917	1	Cart Cover	12	170000	2	Latch
2	178191	2	Side Bar Reinf.	13	722006	2	Cotter Pin
3	178192	2	End Bar Reinf.	14	717510	4	Hex Nut Centerlock
4	178189	4	Pin	*15	178190	1	Bracket
5	717003	4	Hex Nut, 3/8-16	16	178187	2	Side Panel
6	719001	8	Flat Washer, 3/8	17	178198	2	Bracket
7	170134	6	Link	18	159134	6	Washer, Special
8	717510	4	Hex Nut, Centerlock	19	719002	6	Plain Washer, 5/16
9	178188	2	Bail	20	705017	4	Hex Capscrew, 5/16-18 x 3/4
10	170002	2	Lever	21	717511	4	Hex Locknut, 5/16-18
11	170001	2	Rod Latch	22	705016	1	Hex Capscrew, 3/8-16 x 1-1/4
				23	163065	2	Belt Stop

*Attached to Front of Dump Cart